

Mini-Benchtop Stabilized Laser

High-Power, Wavelength Stabilized



High Power, Narrow Linewidth
Connectorized Fiber Coupled Output

Features:

- Narrow spectral linewidth – 0.07nm FWHM
- High powers - From 150mW to 500mW
- SMSR >40dB
- Integrated drive electronics and temperature control
- Manually adjustable digital power control with LCD Touchscreen display
- Plug-and-play with safety switch and key
- Connectorized FC/PC fiber coupled output
- Optional 105 μm MM fiber, 0.22 NA, with FC/PC or SMA end connector
- CE certified and RoHS Compliant

Applications:

- Raman Spectroscopy
- Metrology
- Bio-instrumentation
- Sensing
- Analytical Instrumentation

Ondax's new Mini-Benchtop Lasers are ultra-compact and an easy to use, rugged solution for the lab. Incorporating an Ondax SureLock™ VHG-stabilized laser diode, the Mini-Benchtop Laser delivers steady, high-power, spectrum-narrowed performance.

Offering both easy-to-adjust manual power controls and a touchscreen interface, the Mini-Benchtop Laser provides better than 1% power stability and less than 1 minute warm-up. Delivering extreme temperature insensitivity, these lasers are perfect for the lab user or OEM doing Raman spectroscopy.

All SureLock™ Series lasers are stabilized using the Ondax PowerLocker® Volume Holographic Grating (VHG), ensuring precise, ultra-stable center wavelengths, low temperature dependence, and consistent optical performance over the locked region. The narrowed linewidth, low power consumption, and broad stabilized temperature operating characteristics deliver affordable, portable instrument-quality performance.

Comes with an FC/PC front panel connector. An optional 105 μm fiber cable with either FC/PC or SMA end connector is also available.

Specifications:

Specification Summary

Parameter	Unit	Wavelength							
Center Wavelength (vacuum)	nm	405	445	520	638	785	830	976	1064
Center Wavelength Tolerance (nm)	nm	± 1	± 1	± 1	± 1	± 1	± 1	± 1	nm
Output Power	mW	150	200	225	170	350/500	350/500	350/500	350/500
Spectral Width	nm	0.07 typ			0.15 max			nm	
Side Mode Suppression Ratio	dB	40							

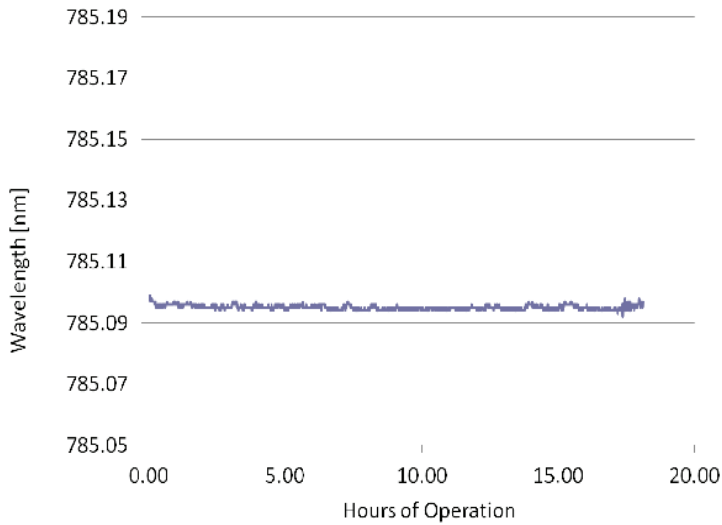
Operating Specifications

Parameter	Symbol	Min	Typ	Max	Unit
Current ¹	I		1		A
Input Voltage ¹	V		90-240/50-60Hz		VAC
Fiber Type		105 μm core/ 900 μm tubing			
Connector ²		FC/PC			
Numerical Aperture	NA	0.22			
Operating Temperature ³	T _{op}	10	25	35	°C
Storage Temperature ²	T _s	-10		60	°C

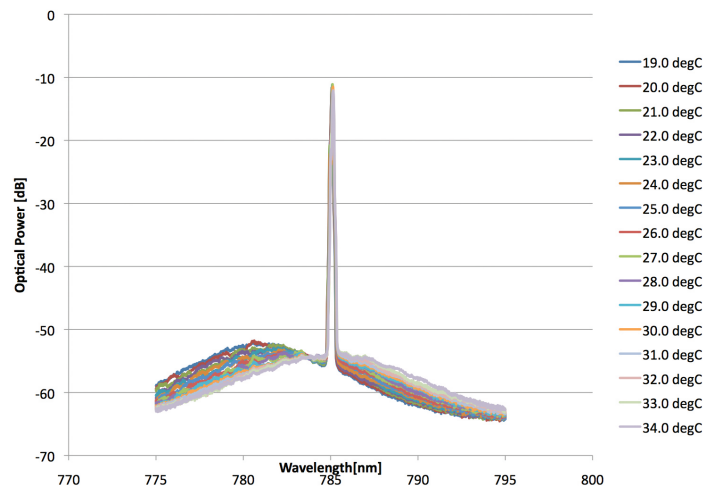
¹With supplied power adapter ²FC/PC to SMA adapter cable available - please specify at time of ordering ³Non-condensing

SureLock™ Mini-Benchtop Laser

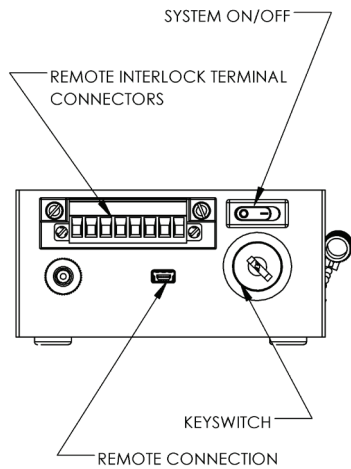
Wavelength Stability



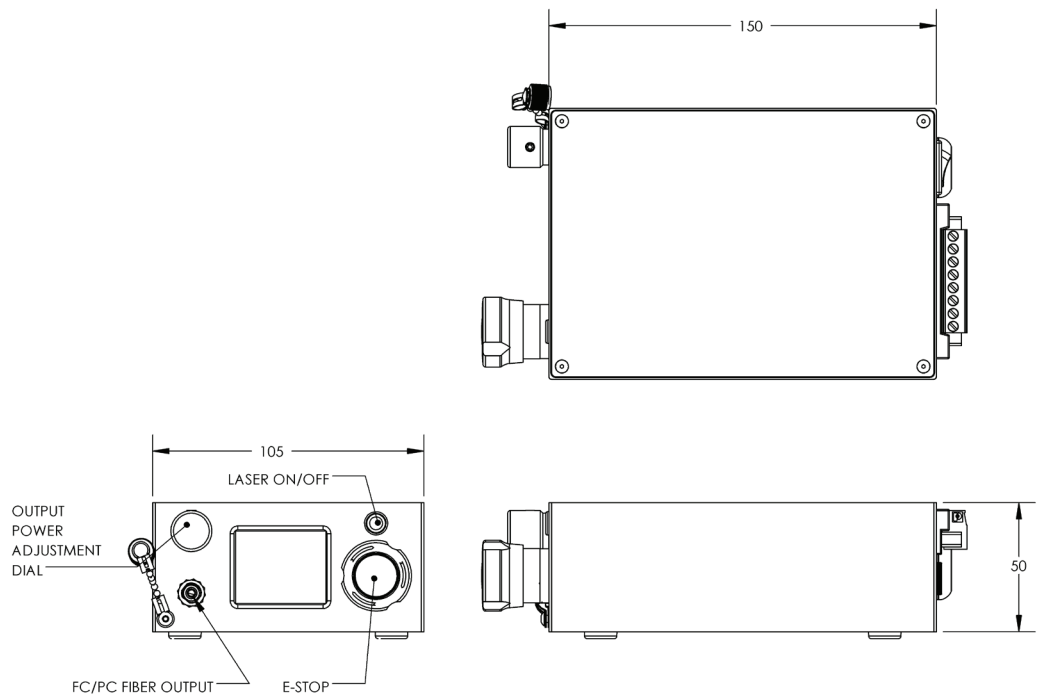
Optical Spectrum (Sample)



Back Panel



Outline Drawing (all dimensions in mm)



Model Numbers

BT-λλλ-PLR-Power-FC/PC

BT-λλλ-PLR-Power-SMA (includes FC/PC-SMA Adapter Cable)



850 E. Duarte Rd. Monrovia, CA 91016
626-357-9600 (Tel)
626-513-7494 (Sales Fax)

For more information about Ondax products and the name of a local representative or distributor, visit www.ondax.com, email sales@ondax.com, or call (626) 357-9600. Specifications subject to change without notice. Each purchased laser is provided with test data. Please refer to this data before using the laser.

© 2017 Ondax, Inc.